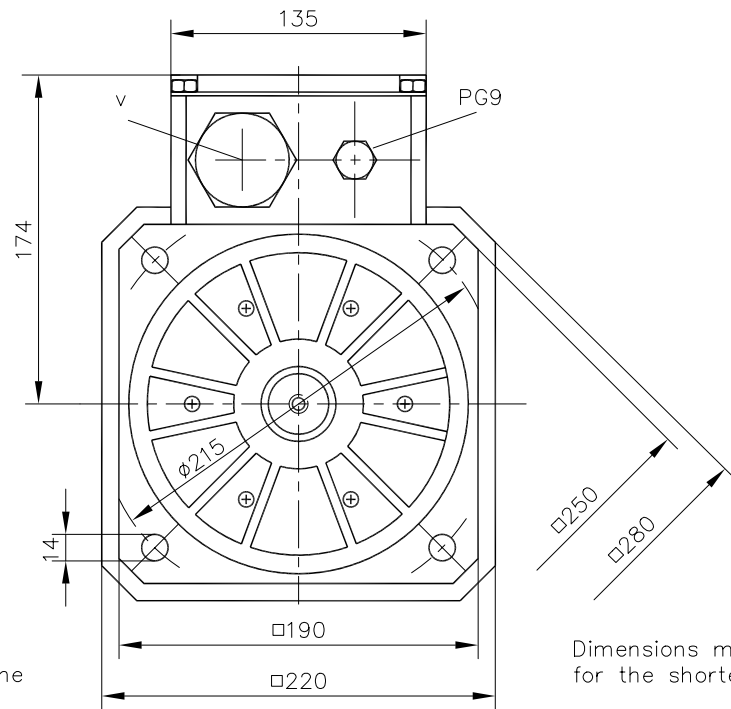


Shaft end WITHOUT keyway to DIN 748
Centering with internal thread to DIN 332



Dimensions are the same with build-in brake

Dimensions marked with * are for the shortened cooling bonnet

When the shortened bonnet is used, keep a distance of at least 30mm between air bleed and wall.

Motor type	Dimensions					Specifications (extract)								
	k	k*	q	v	q1	M ₀	M _n	I _{0rms}	K _{Trms}	K _E	U _n	R _{ph-ph}	L _{ph-ph}	
	mm	mm	mm	PG	mm	Nm	Nm	A	Nm/A	V/1000min ⁻¹	V	Ω	mH	
6SM100K-3000-BV	576	460	324	21	341	36	35,1	27,1	1,33	114	540	0,46	10,5	
6SM100S-3000-BV	624	508	372	29	389	53	50,1	39,3	1,35	116	540	0,22	7	
6SM100M-3000-BV	672	556	420	29	437	69	63,1	52,2	1,32	113	540	0,16	5	
6SM100L-3000-BV	720	604	468	29	485	84	75,0	62,2	1,35	115	540	0,12	4	