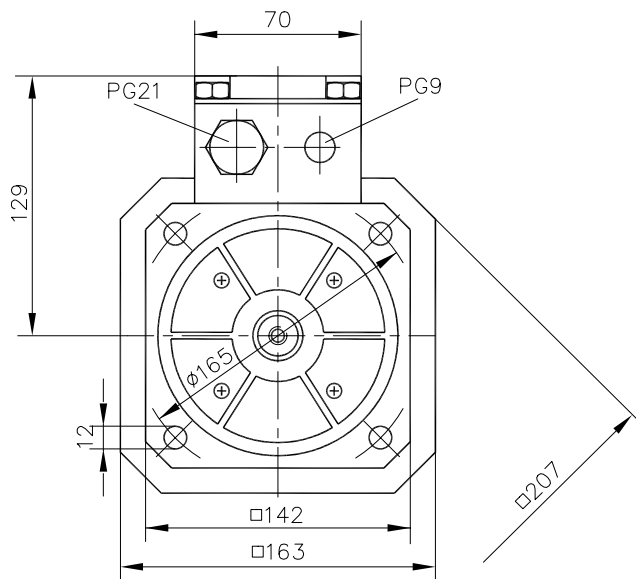
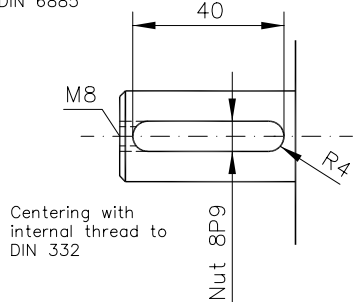


Shaft end with keyway according to DIN 6885



k1 with incremental encoder ROD 426

Motor type	Dimensions					Specifications (extract)							
	k	k1	q	q3	q1	$M_0$	$M_n$	$I_{Orms}$	$K_{Trms}$	$K_E$	$R_{ph-ph}$	$L_{ph-ph}$	
	mm	mm	mm	mm	mm	Nm	Nm	A	Nm/A	$V/1000min^{-1}$	$\Omega$	mH	
SM(R) 71K-3000-BV	541	591	238	451	290	14,0	12,9	26,5	0,54	56,0	0,43	5,4	
SM(R) 71S-3000-BV	591	564	288	501	340	23,0	19,8	43,0	0,54	56,4	0,21	3,2	
SM(R) 71M-3000-BV	641	691	338	551	390	31,0	25,3	55,0	0,59	61,3	0,15	2,6	