

Connected load 0,9 to 3,5 kVA

Runs directly off 400 V mains

Compact design

Analog setpoint (resolution 1 mV)
with incremental or synchronous-
serial position output with
variable resolution

4 CONNECT variants with
integrated position controller

Internal ballast resistor

Motor brake control

Optional

Increased ballast load for the 6A de-
vice with forced ventilation

Short description

The digifas™ 7200 series units are fully digital servo amplifiers for controlling our brushless synchronous servo motors of the 6SM series with integrated resolvers. The small, compact design and the small overall installation depth enable the devices to be mounted also in flat 300 mm control cabinets.

All connections can be plugged in at the front. The digifas™ 7200 is grounded via a central stud bolt located on the front panel.

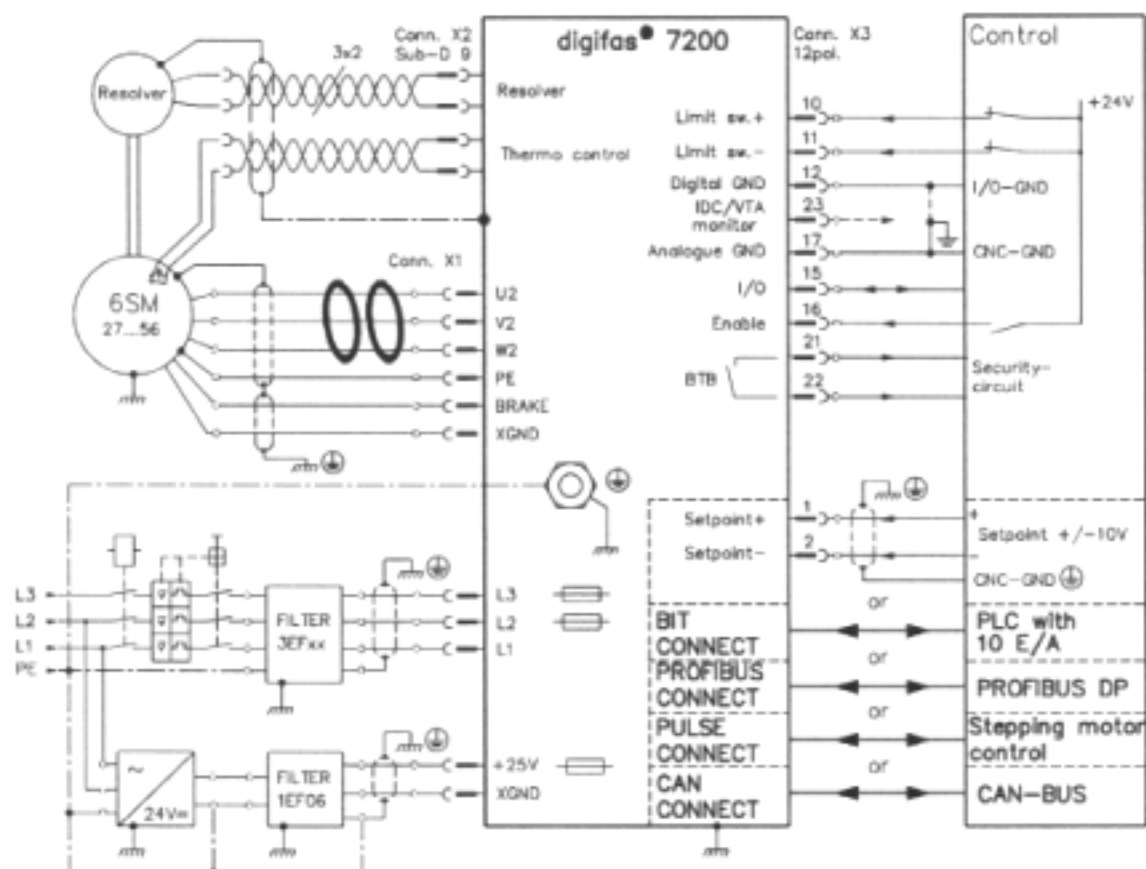
Units with a rated output current of 6A (digifas™ 7206) and forced ventilation (option -BV-) can be operated with a substantially increased ballast load.

The DC intermediate circuit is bus-compatible, i.e. power can be distributed to several units.

Seidel operator software makes the amplifier easy to operate and parameterize.

Specifications

Rated characteristics	DIM	digifas™ current variants			
		7201	7202	7204	7206
Rated connected load	V~	3 x 80-400 / 50...60Hz + max. 10%			
Rated connected load for S1 operation	kVA	0.9	1.7	2.5	3.5
Rated intermediate circuit DC voltage	V=	560			
Rated output current (rms) (± 5%)	A _{rms}	1.5	2.8	4.2	6
Peak output current (max. 5 s) (± 5%)	A _{rms}	3.0	5.6	8.4	12



Interface variants

Analog setpoint interface

digifas™ 7201 ... digifas™ 7206 ROD / SSI position output

BIT CONNECT

digifas™ 7201-SPS ... digifas™ 7206-SPS with integrated position control

PULSE CONNECT

digifas™ 7201-STEP ... digifas™ 7206-STEP with integrated secondary position control

PROFIBUS CONNECT

digifas™ 7201-L2/DP ... digifas™ 7206-L2/DP with integrated position control

CAN CONNECT

digifas™ 7201-CAN ... digifas™ 7206-CAN with integrated position control

Options

-BV- External ventilation unit for digifas™ 7206 with ballast load higher than 75W