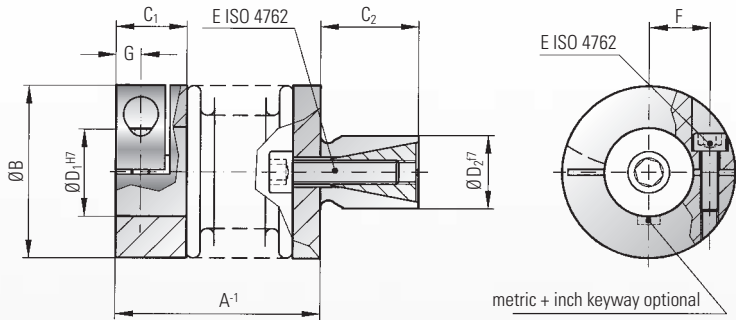




MODEL MK3

TECHNICAL SPECIFICATIONS



metric + inch keyway optional

Ordering example

MK3/20 / 36 / 6 / 12 / XX

Model
Series/Nm
Overall length
Ø D1 H7
Ø D2 f7
Non standard



Properties:

- compact design, conserves space while saving cost
- easy mounting
- backlash-free and torsionally rigid
- low moment of inertia
- compensates for 3-axis of misalignment

Material:

Bellows are made of highly flexible high-grade stainless steel, clamping hub aluminium. Expanding hub and cone (steel).

Design:

On one side with a single radial clamping screw ISO 4762. On one side an expanding shaft with tapered clamping element

Temperature range:

-30° to +120° C (3,6 F to 270 F)

Speeds:

Up to 10,000 rpm, in excess of 10,000 rpm with balanced version.

Service life:

These coupling have an infinite life, and are maintenance-free if the technical limits are not exceeded.

Fit tolerance:

On the hub/shaft connection 0.01 to 0.05 mm.

Non-standard application:

Custom designs with varied tolerances, keyways, non-standard material and bellows are available upon request.

Model MK 3	Series															
	5			10			15		20			45		100		
Rated torque (Nm)	T _{KN}	0.5			1			1.5		2			4.5		10	
Overall length (mm)	A	20	23	26	22	25	28	24	30	27	33	36	36	44	41	51
Outer diameter (mm)	B	15			15			19		25			32		40	
Fit length (mm)	C ₁	9			9			11		13			16		16	
Shaft length (mm)	C ₂	10			10			12		12			15		20	
Special bores from Ø to Ø (mm)	D ₁	3-7			3-7			4-8		4-12.7			5-16		6-24	
Standard bore H7 (mm)	D ₁	6			6			6		6/10			10		10	
Standard shaft f7 (mm)	D ₂	8			8			10		12			14		16	
Screws ISO 4762		M2			M2			M2.5		M3			M4		M4	
Tightening torque of the assembly screws (Nm)	E	0.43			0.43			0.85		2.3			3.5		4.5	
Distance between centers (mm)	F	4.5			4.5			6		8			10		15	
Distance (mm)	G	3			3			3.5		4			5		5	
Screws ISO 4762		M3			M3			M4		M4			M5		M6	
Tightening torque of the assembly screws (Nm)	I	1.5			1.5			3		4			6.5		11	
Mass moment of inertia (gcm ²)	J	2.6	2.8	3.0	3.0	3.4	3.6	8.5	9.5	25	27	29	100	108	160	205
Torsional stiffness (Nm/rad)	C _T	280	210	170	510	380	320	750	700	1200	1300	1200	7000	5000	9050	8800
axial	Max. values	0.4	0.5	0.6	0.4	0.5	0.6	0.5	0.7	0.5	0.6	0.7	0.7	1	1	1.2
lateral		0.15	0.2	0.25	0.15	0.2	0.25	0.15	0.2	0.15	0.2	0.25	0.2	0.25	0.2	0.3
angular		1	1.5	2	1	1.5	2	1.5	1.5	1.5	1.5	2	1.5	2	1.5	2

Missing hub measurements see MK 2. (1 Nm = 8.85 in lbs)