



single-position  
multi-position  
load holding  
full disengagement

Model SK1



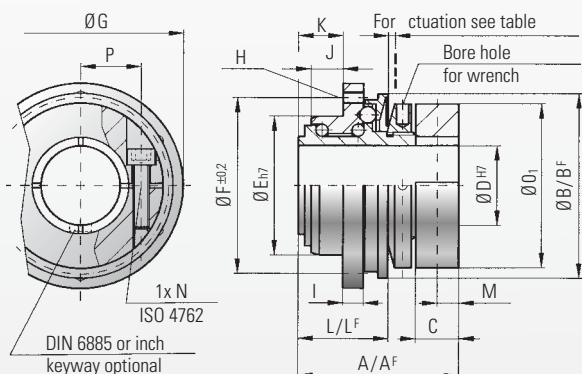
with conical clamp connection

# MODEL SK1/SKP

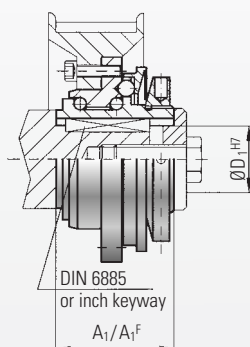
## BACKLASH FREE TORQUE LIMITER

### Miniature Design Series 1.5 - 10

SK 1 with clamping hub

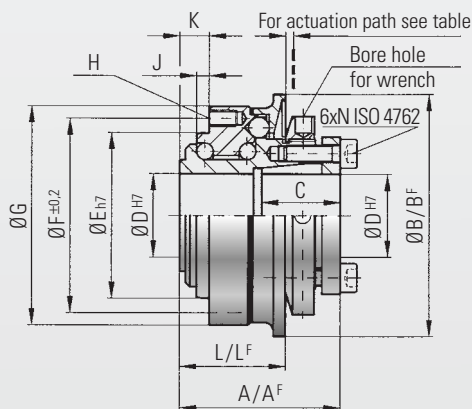


SKP with a pure key connection

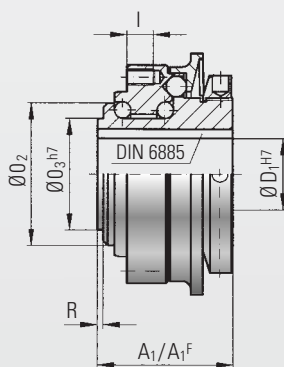


### Design Series 15-2,500

SK 1 with conical clamp



SKP with a pure key connection



#### Material

High-strength steel

#### Design

Model SK1 from 1.5-10 Nm with clamping hub

Model SK1 from 15-2,800 Nm with conical clamp

**Optional clamping hub available upon request**

Model SKP with pure keyway connection

#### Temperature range:

-30° C to +120° C

Temperature peaks up to + 150° C

#### Backlash:

Absolutely backlash-free as a result of the frictional clamp connection and the patented R+W principle

#### Service life:

These couplings are maintenance-free and have extreme service life as long as all the performance units are not exceeded.

**Optional sealed version for wash down and foodservice application.**

See page 16

#### Ordering specifications

SK1 / 10 / W / 14 / 4 / 2-6 / xx

Model

Series

Version

Bore Ø D H7

Disengagement torque Nm

Adjustment range Nm

e.g. stainless steel

#### Possible versions

W = Single-position engagement

D = Multi-position engagement

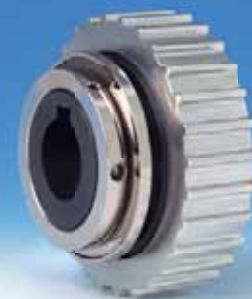
G = Load holding

F = Full disengagement

**For the maximum permissible radial load capacity for all SK 1 / SKP models, see installation instructions on page 14**

optional  
stainless  
steel

single-position  
multi-position  
load holding  
full disengagement



Model SKP

with pure keyway connection

Model SK 1/SKP		Miniature Design													
		Series													
		1.5	2	4.5	10	15	30	60	150	200	300	500	800	1500	2500
Adjustment range possible from - to (approx. values) (Nm)	$T_{KN}$	0.1-1 or 0.3-2	0.2-1.5 or 0.5-2.2 or 1.5-3.5	1-3 or 2-4.5 or 3-7	2-6 or 4-12 or 7-18	5-20 or 12-35	10-25 or 20-55	10-30 or 25-80	20-70 or 45-150 or 80-225	30-90 or 60-200 or 140-280	100-200 or 150-240 or 220-440	80-200 or 200-350 or 320-650	400-650 or 500-800 or 650-950	600-800 or 700-1200 or 1000-1800	1500-2000 or 2000-2500 or 2300-2800
Adjustment range possible from - to (approx. values) (full disengagement) (Nm)	$T_{KN}^F$	0.1-0.6 or 0.4-1	0.5-2	2.5-4.5	4-10	7-15	8-20 or 16-30	10-30 or 20-40 or 30-60	20-60 or 40-80 or 80-150	80-140 or 130-200	120-180 or 130-300	50-150 or 100-300 or 250-500	200-400 or 450-850	1000-1250 or 1250-1500	1400-2200 or 1800-2700
Overall length (mm)	A	23	28	32	39	40	50	54	58	63	70	84	95	109	146
Overall length (full disengagement) (mm)	A <sup>F</sup>	23	28	32	39	40	50	54	58	66	73	88	95	117	152
Overall length A1 (mm)	A <sub>1</sub>	15.5	20	22	28	34	43	46	48.5	54	57	71.5	80	93	135
Overall length A1 (full disengagement) (mm)	A <sub>1</sub> <sup>F</sup>	15.5	20	22	28	34	43	46	49	57	60	75	91	110	141
Actuation ring (mm)	B	23	29	35	45	55	65	73	92	99	120	135	152	174	243
Actuation ring (full disengagement) (mm)	B <sup>F</sup>	24	32	42	51.5	62	70	83	98	117	132	155	177	187	258
Clamping fit length (mm)	C	7	8	11	11	19	22	27.5	32	32	41	41	49	61	80
Inner diameter from bis H7 (mm)	D	4-8	4-12	5-14	6-20	8-22	12-22	12-29	15-37	20-44	25-56	25-56	30-60	35-70	50-100
Inner diameter from bis H7 (mm)	D <sub>1</sub>	4-8	4-10	5-12	6-16	19	24	30	38	44	50	58	60	73	95
Centering diameter h7 (mm)	E	14	22	25	34	40	47	55	68	75	82	90	100	125	168
Hole circle diameter ± 0.2 (mm)	F	22	28	35	43	47	54	63	78	85	98	110	120	148	202
Flange diameter -0.2 (mm)	G	26	32	40	50	53	63	72	87	98	112	128	140	165	240
Thread	H	4xM2	4xM2.5	6xM2.5	6xM3	6xM4	6xM5	6xM5	6xM6	6xM6	6xM8	6xM8	6xM10	6xM12	6xM16
Thread length (mm)	I	3	4	4	5	6	8	9	10	10	10	12	15	16	24
Centering length -0.2 (mm)	J	2.5	3.5	5	8	3	5	5	5	5	6	9	10	13.5	20
Distance (mm)	K	5	6	8	11	8	11	11	12	12	15	21	19	25	34
Distance (mm)	L	11	15	17	22	27	35	37	39	44	47	59	67	82	108
Distance (mm)	L <sup>F</sup>	11.5	16	18	23	27	37	39	40	47	51.5	62	75	91	120
Distance (mm)	M	2.5	5	4	5										
Screw ISO 4762	N	M2.5	M3	M4	M4	M4	M5	M5	M6	M6	M8	M8	M10	M12	M16
Tightening torque in (Nm)	N	1	2	4	4.5	4	4	7	12	14	18	25	36	70	120
Outside diameter clamp ring (mm)	O <sub>1</sub>	20	25	32	40										
Diameter (mm)	O <sub>2</sub>	11	14	17	24	35	42	49	62	67	75	84	91	112	154
Diameter h7 (mm)	O <sub>3</sub>	13	18	21	30	27	32	39	50	55	65	72	75	92	128
Distance between centers (mm)	P	6.5	8	10	15										
Distance (mm)	R	1	1.3	1.5	1.5	2.5	2.5	2.5	2.5	3	3	4	4	4.5	6
Moment of inertia (10 <sup>-3</sup> kgm <sup>2</sup> )	J <sub>ges</sub>	0.01	0.02	0.05	0.07	0.15	0.25	0.50	1.60	2.70	5.20	8.60	20	31.5	210
Approx. weight (kg)		0.03	0.065	0.12	0.22	0.4	0.7	1.0	1.3	2.0	3.0	4.0	5.5	10	28
Actuation path (mm)		0.7	0.8	0.8	1.2	1.5	1.5	1.7	1.9	2.2	2.2	2.2	2.2	3.0	3.0

A<sup>F</sup>, B<sup>F</sup>, L<sup>F</sup> = Full disengagement version