

DYNABOX XL SELECTION

START/STOP SERVICE S5

Calculate torque S5 on gearbox output :

$$\text{Torque } S5 = T_{\max} \times F1 \times F2$$

GEARBOX RUNNING TIME DURING 1 CYCLE		
10 %	30 %	50 %
0,7	0,85	1
over 60 %, go to CONTINUOUS SERVICE selection		

NUMBER OF CYCLES/HOUR		
1000	2000	3000
1	1,35	1,45
		1,6
		1,9

Pre-select the gearbox size :

in the column **Torque S5**, at **N_{max}** input speed

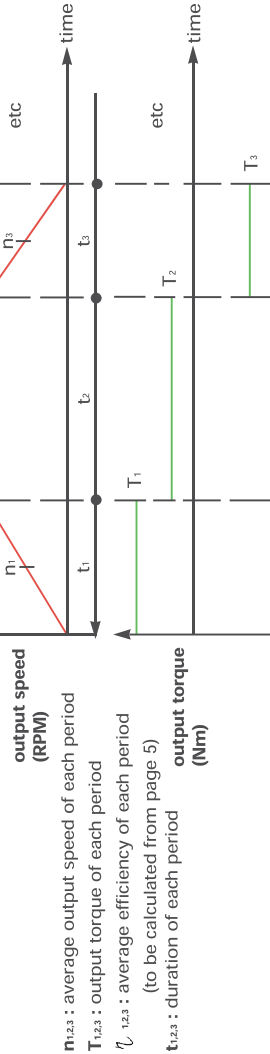
Pre-select the gearbox size :

in the column **Torque S1**, at **N_{max}** input speed

CONTINUOUS SERVICE S1

Calculate torque S1 on gearbox output :

$$\text{Torque } S1 = T_{\max}$$



$$P_{th} = 0,105 \times \sqrt[3]{t_1 \left(\frac{100 \cdot \tau_{e1}}{\tau_{e1}} \times n_1 T_1 \right)^3 + t_2 \left(\frac{100 \cdot \tau_{e2}}{\tau_{e2}} \times n_2 T_2 \right)^3 + t_3 \left(\frac{100 \cdot \tau_{e3}}{\tau_{e3}} \times n_3 T_3 \right)^3 + \dots}$$

P_{th} must be lower than the thermal capacity of the pre-selected gearbox size, otherwise select a larger gearbox.

Thermal capacities :

DYNABOX XL 125	1652W
DYNABOX XL 160	2479W
DYNABOX XL 200	4210W

LEGEND

- T_{max}** (Nm) : maximum output torque during operating cycle / continuous operation.
- N_{max}** (RPM) : maximum input speed achieved during operating cycle.
- E-stop** (Nm) : gearbox output emergency torque (2 seconds maximum duration, maximum of 25000 times).
- i** : exact gear ratio.
- ig** (kg/cm²) : polar moment of inertia on input, without coupling (see coupling inertia page 10).
- η (%)** : gearbox efficiency.
- Fr** (N) : maximum radial load applicable at the middle of the output shaft, without any axial load.
- Fa** (N) : maximum axial load applicable on output shaft, without any radial load.

TECHNICAL SPECIFICATIONS

N _{max}	6000		4000		3000		2000		1000		Remec. class	ig	E-stop	Fr	Fa					
	Torque S1	η	Torque S1	η	Torque S1	η	Torque S1	η	Torque S1	η										
5,125.1	792	97	609	1005	96	716	1181	884	1459	95	1217	2008	94	3767	50	1	13600	12000		
7.21	840	97	632	1043	96	742	1224	907	1497	95	1208	1993	93	3767	38	1	15000	15000		
10,25.1	832	96	622	1026	95	725	1196	887	1464	94	1147	1893	92	3767	30.5	1	16700	18000		
15,25.1	726	94	542	894	93	625	1031	92	1252	91	972	1604	89	3342	25	1	18900	22000		
DYNABOX XL 125	20,5.1	1026	93	759	1252	92	877	1447	91	1043	1172	1780	87	3767	23.4	1	20600	22000		
	29,5.1	869	90	634	1046	88	731	1206	87	861	1421	1850	81	3295	23.15	2	22900	22000		
	45.1	1142	86	833	1374	84	952	1571	82	1104	1822	80	1369	2259	75	3	26000	22000		
	60.1	980	82	713	1176	79	815	1345	77	929	1533	74	1150	1898	69	2937	20	3	28000	22000
	90.1	825	74	598	967	71	680	1122	68	779	1285	64	960	1584	58	2502	19	3	32000	22000
	5,125.1	1450	97	1128	1861	97	1324	2185	96	1648	2719	96	2334	3851	94	7251	120	1	17800	15000
	7.21	1411	97	1092	1802	96	1266	2089	96	1569	2589	95	2151	3549	94	7251	77	1	19700	19000
	10,25.1	1513	96	1161	1916	96	1346	2221	95	1650	2723	94	2215	3655	93	7251	63	1	21900	24000
	15,25.1	1333	95	1030	1700	94	1177	1942	93	1443	2381	92	1896	3128	90	5572	52.7	1	24700	29000
DYNABOX XL 160	20,5.1	1775	94	1338	2208	93	1530	2525	92	1856	3062	90	2392	3947	88	7251	51.5	1	27000	34000
	29,5.1	1492	91	1111	1833	89	1264	2086	88	1535	2533	86	1945	3209	83	6571	52.8	2	30000	34000
	45.1	2219	87	1630	2690	85	1858	3066	84	2211	3648	81	2765	4562	77	7251	46.5	3	34100	34000
	60.1	1740	83	1272	2099	81	1439	2374	79	1723	2843	76	2127	3510	71	6331	40	3	37200	34000
	90.1	1552	76	1123	1853	73	1261	2081	70	1489	2457	67	1842	3039	60	4933	38	3	42000	34000
	5,125.1	2592	98	2008	3313	97	2392	3947	97	2954	4874	96	4208	6943	95	12826	287	1	37000	37500
	7.21	2721	97	2108	3478	97	2462	4062	96	3042	5019	96	4236	6989	94	12826	177	1	41000	44500
	10,25.1	2691	97	2071	3417	96	2408	3973	96	2946	4861	95	4007	6612	93	12826	143	1	46000	52600
	15,25.1	2346	95	1813	2991	94	2083	3437	94	2540	4191	93	3376	5570	91	12448	102	1	51800	63000
DYNABOX XL 200	20,5.1	3356	94	2551	4209	93	2909	4800	92	3538	5838	91	4590	7574	89	12826	96	1	56600	71000
	29,5.1	2841	92	2117	3493	90	2410	3977	89	2925	4826	87	3738	6168	84	12277	99	2	63000	71000
	45.1	3747	88	2775	4579	86	3154	5204	85	3788	6250	83	4747	7833	78	12826	82.5	3	71700	71000
	60.1	3170	85	2325	3836	82	2636	4349	80	3159	5212	77	3928	6481	72	11674	71	3	78000	71000
	90.1	2714	78	1985	3275	75	2228	3676	72	2641	4358	69	3316	5471	62	9323	69	3	88000	71000

REVERSIBILITY CLASSES

Reversibility means the gearbox capability to be back-driven. When selecting an irreversible gearbox, make sure that

during deceleration, load inertia does not create over-loads exceeding the maximum permissible torque.

1	Totally reversible
2	Uncertainly reversible
3	Irreversible

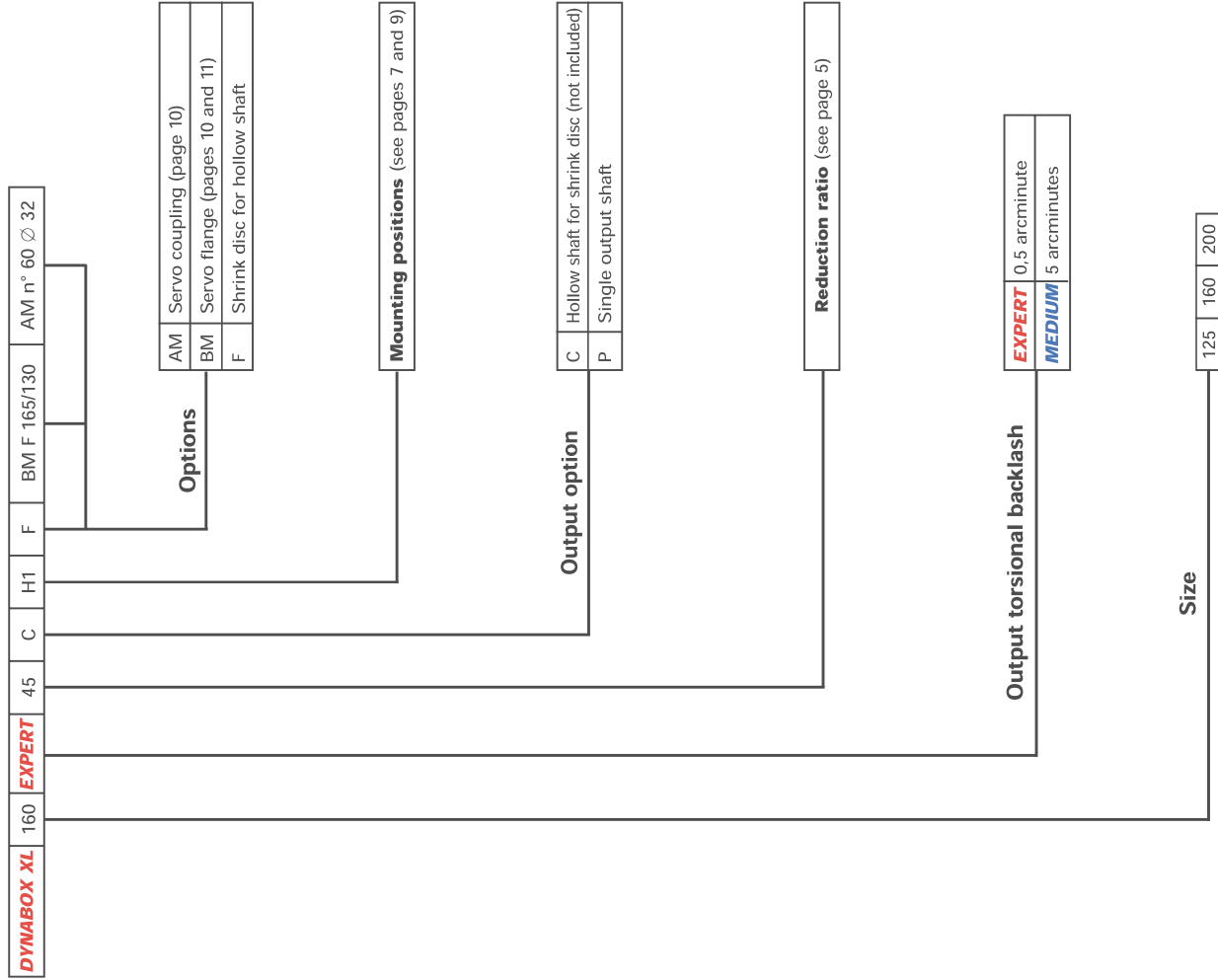
NOTES CONCERNING EFFICIENCY

Efficiency values may be achieved after a minimum of 24 hours at full load operation (running-in-period). Efficiency values are achieved only when gearbox operates at

nominal torque. For gearbox operating under nominal torque, efficiency is lower.

HOW TO ORDER

Use following codification to order your **DYNABOX XL**.



SERVO GEARSETS **DYNASET XL** WITH ADJUSTABLE BACKLASH

When **DYNABOX XL** servo gearheads cannot be used, the **DYNASET XL** servo gearsets, to be mounted in custom housing, are an interesting alternative.

Their performance are comparable to complete reducers, assuming following recommendations :

MOUNTING

Wormshaft : housing and bearing design should allow an axial shifting, necessary for backlash adjustment. The total adjustment range is obtained with a permissible displacement equal to W, as per page 14.

It is recommended, whenever possible, to use our backlash adjustment device, which is delivered preset (see page 15).

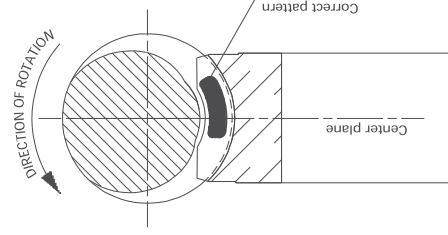
The front ball bearing (see page 15) must be engaged on the shaft after the complete gear assembly, and before the backlash adjustment operation.

Wheel ring : Arrows shown on wormshaft and wheel ring must be lined up during assembly (see page 14). As the bore ØA tolerance is H6, it is recommended to grind the shaft with a tolerance k5. This will eliminate any runout between the wheel ring and the shaft. In order to facilitate the connection between the 2 parts, heat the wheel ring up to 50°C.

After cooling, check that the wheel ring is no buckled, by applying a dial indicator on its face, while rotating the shaft.

It is recommended to use taper roller bearings on output shaft, in order to allow an axial displacement of the wheel, during the mounting operations, to center the gear

correctly. The contact pattern can be checked with Prussian blue or any similar product. A good pattern should be located slightly on the right side of the wheel tooth flanks (on both sides). It is normal to have no contact on the left side of the flanks. This gap is necessary for a good oil film forming. See sketch below.



on page 5 can be considered only if this kind of lubricant is used.

LUBRICATION

The best gear performances in terms of efficiency, life, temperature, will be achieved with a synthetic lubricant such as MOBIL SHC 634 or equivalent. The ratings shown

BACKLASH ADJUSTMENT

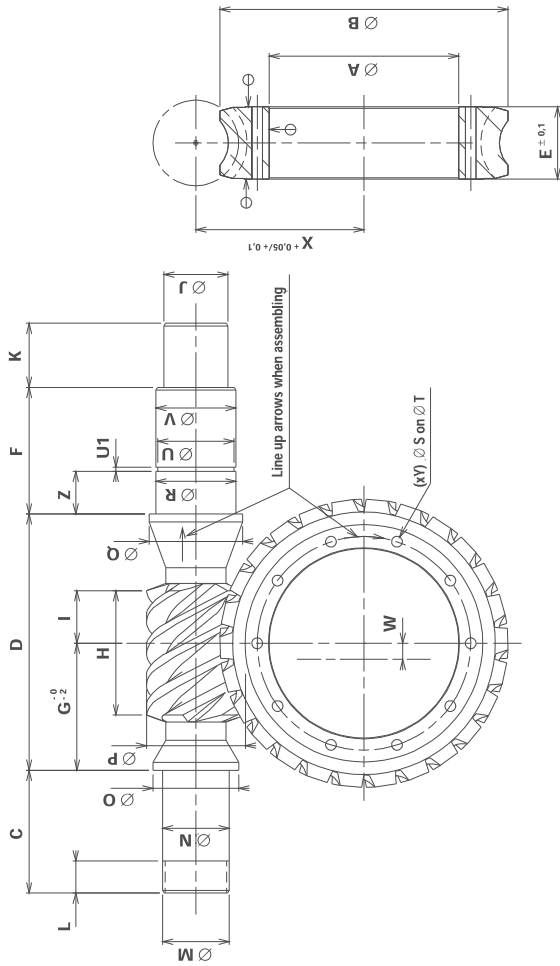
The accuracy of our servo gearsets **DYNASET XL** allows them to be set to less than 0,5 arcminute of backlash, without any efficiency or torque capacity losses (it is assumed that custom machined parts and mounting are correct).

If our backlash adjustment device is used, simply remove some shims (delivered) between the bearing bush and

the housing, until the desired backlash value is obtained. For high speed applications, a backlash between 0,5 to 1 arcminute is recommended.

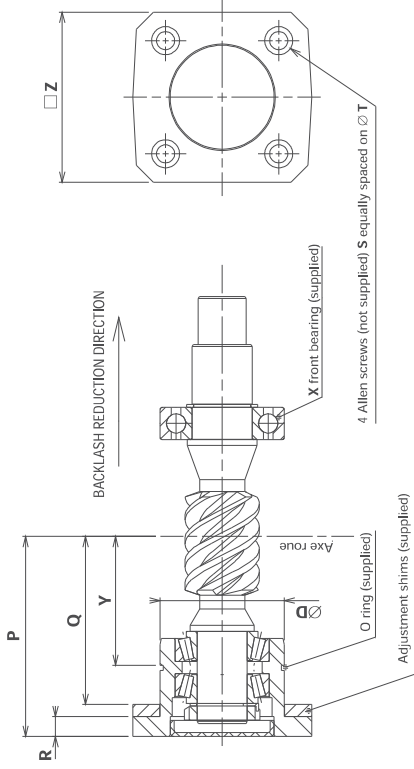
For very intermittent applications (rotary tables or milling heads of CNC machines for ex.), a backlash down to zero is tolerated, as soon as the no load input torque does not vary more than ± 30 % around the average value.

SERVO GEARSET **DYNASET XL**



Surfaces marked ⊕ can be referred to for checking runnout

BACKLASH ADJUSTMENT DEVICE FOR **DYNASET XL**



DYNASET XL	125	160	200
D	90	110	150
Y Maxi	111,4	150,9	191,1
Y Mini	101,4	140,9	181,1
P Maxi	163	204	251
P Mini	153	194	241
Q	135	175	216
R	18	19	25
S	M12	M12	M16
T	115	135	180
Z	130	140	180
X	6210	6212	6412

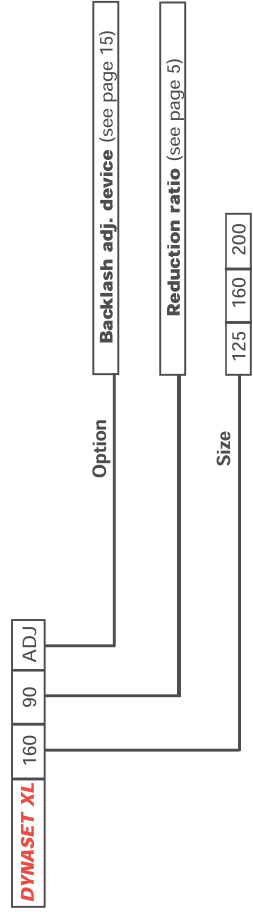
The backlash adjustment device is delivered mounted and preset.

Bearings are factory preloaded.

Backlash adjustment is operated with shims located between the housing and the bearing bush.

HOW TO ORDER

Use following codification to order your **DYNASET XL**.



DYNASET XL	125	160	200
A (H6)	136	190	226
B Maxi	219	280	351
C	63	75	91
D	175	230	302,5
E	40	46	58
F	60,75	81	86,5
G	85,75	121	155
H Maxi	82	103,4	115
I Maxi	33,5	43,85	46,78
J (h6)	35	42	48
K	45	50	55
L	12	15	18
M	M35 x 1,5	M45 x 1,5	M60 x 1,5
N (k6)	35	45	60
O	44	55	72
P Maxi	53	72	84
Q	56,5	68	71
R (k6)	50	60	60
S	10,5	12,5	12,5
T	154	214	260
U	47	57	57
U1	2,15	2,15	2,15
V (c7)	50	60	60
W	10	10	10
X	125	160	200
Y	10	12	12
Z	20	22	35