

Servo motors – ACM2n series AC brushless

The **ACM2n** range of brushless servo motors offer an excellent price / performance ratio, making them ideal for general purpose applications where cost is a deciding factor.

The motors are fitted with Neodymium Iron Boron magnets, allowing the motors to be run at up to four times rated current.

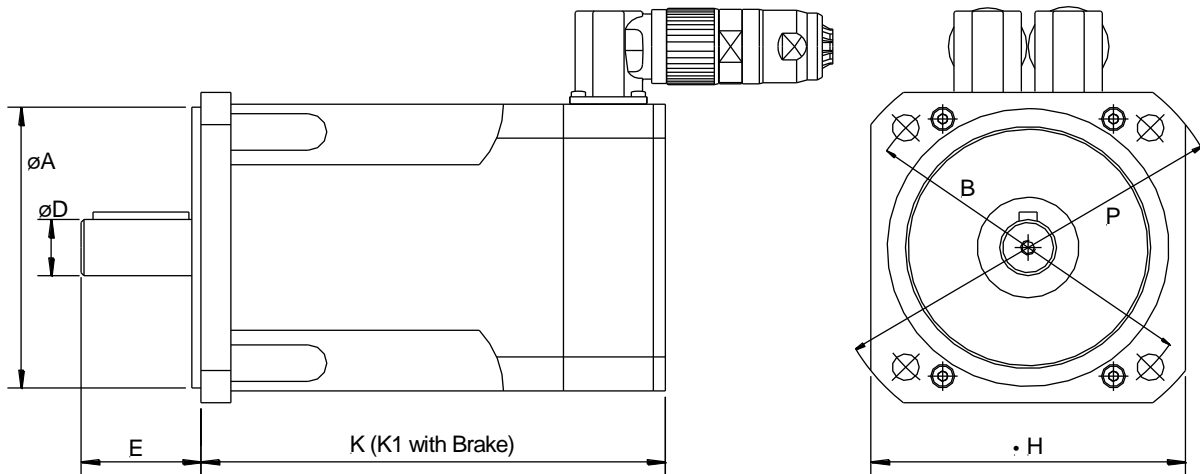
The standard models are 6 pole motors with a 2-pole resolver, keyed shaft and 325V or 565V windings. A selection is **available from stock**.

Optionally the motors can be fitted with multi-turn Hipurface encoders (SKM36) and holding brakes.

Pre-confectioned cable sets are also available.



For a full set of information, please [request a copy of the ACM2n motor catalogue](#).



Technical Data

Dimensions (in mm)

Type	Ref.	Stall Torque (Mo)	Rated Torque (Mn) ^(c3)	Stall Current 325V	Rated Current 325V	Stall Current 565V	Rated Current 565V	Inertia (J)	A	B	D	E	H	K _(c1)	K1 _(c1)	P
IC-M-		Nm	Nm	A	A	A	A	kgcm²								
ACM2n-Y-6	0012	0.16	0.12	0.44	0.33	-	-	0.05	30	46	6	20	40	130	NA	54
ACM2n-0-4	0010	0.13	0.1	0.25	0.2	-	-	0.05	40	63	9	24	55	98	131	74
	0030	0.3	0.3	0.9	0.8	-	-	0.1						123	156	
	0045	0.5	0.45	1.2	1.1	0.65	0.6	0.15						143	176	
	0070	0.8	0.7	1.6	1.46	0.9	0.82	0.2						163	196	
	0130	1.5	1.3	3.3	2.8	1.65	1.4	0.33					234	x ^(c2)		
ACM2n-1-4	0055	0.8	0.55	2.1	1.4	1.2	0.76	0.3	80	100	14	30	88	112	153	115
	0090	1.5	0.9	3.0	1.8	1.8	1.1	0.68						132	173	
	0150	2.5	1.5	5.0	3.0	2.7	1.9	1.0						152	193	
	0220	3	2.2	6.4	4.7	3.8	2.8	1.4						172	213	
	0290	4	2.9	8.3	6.0	4.2	3.0	1.8					202	249		
ACM2n-2-4	0320	4	3.2	8.2	6.4	4.5	3.6	2.4	95	115	19	40	105	178	218	134
	0480	7	4.8	14.3	9.8	7.2	4.9	3.2						208	248	
	0650	9	6.5	18.3	13.2	9.2	6.6	3.6						228	268	
	0830	11	8.3	-	-	12.3	9.3	4.5						273	313	
ACM2n-3-4	0960	16	9.6	-	-	18.4	11	6.15	130	165	24	50	145	260	303	188
	1200	21	12	-	-	28.0	16	7.7						300	343	
	2000	34	20	-	-	33.0	19.3	12.5						420	463	

NOTES:

c1 - Motor length indicated above is for motors fitted with a resolver. Length may vary for other options.

c2 - Motor is not available with a holding brake.

c3 - Motor rated speed is 6000rpm for the size Y motors, 4000rpm for sizes 0-3.

The above is sample information on the product range. Please contact us for a full brochure . . .